



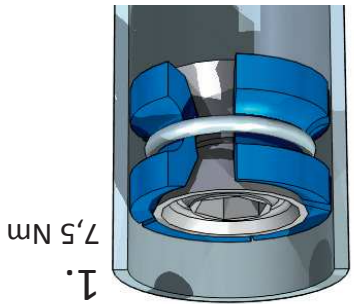
Operating instructions

You have made the right choice. Your new Mcfk expander can be used on all types of 1 1/8-inch fork shafts and has been designed and manufactured according to latest and most efficient methods.

This includes special features that must be considered for installation.

Tighten the clamping screw of the expander in the steering tube to maximum 15 Nm (Aluminium steering tube), or 7,5 Nm (Carbon steering tube) **If the manufacturer of the fork shaft specifies a lower tightening torque, that lower torque applies.**

Tighten the screw of the ahead cap to not more than 4 Nm.



Ahead Cap / Expander



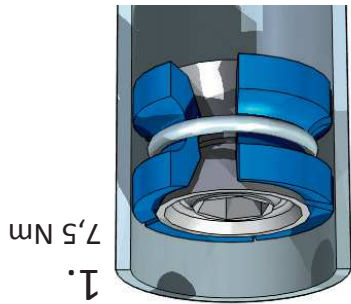
Operating instructions

You have made the right choice. Your new Mcfk expander can be used on all types of 1 1/8-inch fork shafts and has been designed and manufactured according to latest and most efficient methods.

This includes special features that must be considered for installation.

Tighten the clamping screw of the expander in the steering tube to maximum 15 Nm (Aluminium steering tube), or 7,5 Nm (Carbon steering tube) **If the manufacturer of the fork shaft specifies a lower tightening torque, that lower torque applies.**

Tighten the screw of the ahead cap to not more than 4 Nm.



Ahead Cap / Expander



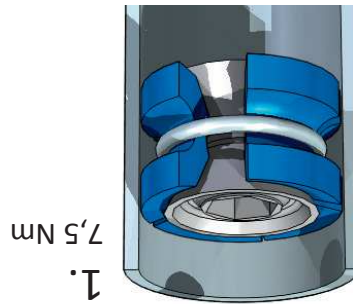
Operating instructions

You have made the right choice. Your new Mcfk expander can be used on all types of 1 1/8-inch fork shafts and has been designed and manufactured according to latest and most efficient methods.

This includes special features that must be considered for installation.

Tighten the clamping screw of the expander in the steering tube to maximum 15 Nm (Aluminium steering tube), or 7,5 Nm (Carbon steering tube) **If the manufacturer of the fork shaft specifies a lower tightening torque, that lower torque applies.**

Tighten the screw of the ahead cap to not more than 4 Nm.



Ahead Cap / Expander



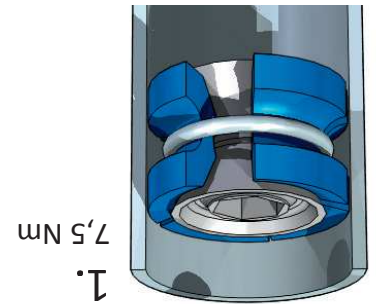
Operating instructions

You have made the right choice. Your new Mcfk expander can be used on all types of 1 1/8-inch fork shafts and has been designed and manufactured according to latest and most efficient methods.

This includes special features that must be considered for installation.

Tighten the clamping screw of the expander in the steering tube to maximum 15 Nm (Aluminium steering tube), or 7,5 Nm (Carbon steering tube) **If the manufacturer of the fork shaft specifies a lower tightening torque, that lower torque applies.**

Tighten the screw of the ahead cap to not more than 4 Nm.



Ahead Cap / Expander



To ensure safe clamping, carefully remove all grease from the steering tube and the expander before installation. Make sure not to exceed the specified tightening torques. The M10 fine thread clamp is optimized for high clamping force and no-slip installation in the tube. If you overtighten, you will damage the steering tube (even if you cannot see the damage) and this is a major safety risk for you and other riders.

To ensure safe clamping, carefully remove all grease from the steering tube and the expander before installation. Make sure not to exceed the specified tightening torques. The M10 fine thread clamp is optimized for high clamping force and no-slip installation in the tube. If you overtighten, you will damage the steering tube (even if you cannot see the damage) and this is a major safety risk for you and other riders.

To ensure safe clamping, carefully remove all grease from the steering tube and the expander before installation. Make sure not to exceed the specified tightening torques. The M10 fine thread clamp is optimized for high clamping force and no-slip installation in the tube. If you overtighten, you will damage the steering tube (even if you cannot see the damage) and this is a major safety risk for you and other riders.

To ensure safe clamping, carefully remove all grease from the steering tube and the expander before installation. Make sure not to exceed the specified tightening torques. The M10 fine thread clamp is optimized for high clamping force and no-slip installation in the tube. If you overtighten, you will damage the steering tube (even if you cannot see the damage) and this is a major safety risk for you and other riders.

Warranty:

We grant a warranty of two years from the date of purchase of our products. Warranty claims can only be accepted if a (copy of the) dealer invoice is available.

The warranty covers defects of material and workmanship; it does not cover defects due to:

- Normal wear and tear
- Improper use
- Non-compliance with the instructions for use.

Warranty claims must be settled on site and are at the discretion of the firm Mcfk. The warranty granted by the firm Mcfk does not include compensation of damage; particularly any indirect damage in connection with an accident, any other indirect or consequential damage are excluded from our warranty.

The satisfaction of our customers is important to us. For this reason, we usually treat problems with our products very generously, also outside the warranty period. Please clean and return the parts and add a brief written account (including your contact data) and a copy of the invoice of the consignment.

Warranty:

We grant a warranty of two years from the date of purchase of our products. Warranty claims can only be accepted if a (copy of the) dealer invoice is available.

The warranty covers defects of material and workmanship; it does not cover defects due to:

- Normal wear and tear
- Improper use
- Non-compliance with the instructions for use.

Warranty claims must be settled on site and are at the discretion of the firm Mcfk. The warranty granted by the firm Mcfk does not include compensation of damage; particularly any indirect damage in connection with an accident, any other indirect or consequential damage are excluded from our warranty.

The satisfaction of our customers is important to us. For this reason, we usually treat problems with our products very generously, also outside the warranty period. Please clean and return the parts and add a brief written account (including your contact data) and a copy of the invoice of the consignment.

Warranty:

We grant a warranty of two years from the date of purchase of our products. Warranty claims can only be accepted if a (copy of the) dealer invoice is available.

The warranty covers defects of material and workmanship; it does not cover defects due to:

- Normal wear and tear
- Improper use
- Non-compliance with the instructions for use.

Warranty claims must be settled on site and are at the discretion of the firm Mcfk. The warranty granted by the firm Mcfk does not include compensation of damage; particularly any indirect damage in connection with an accident, any other indirect or consequential damage are excluded from our warranty.

The satisfaction of our customers is important to us. For this reason, we usually treat problems with our products very generously, also outside the warranty period. Please clean and return the parts and add a brief written account (including your contact data) and a copy of the invoice of the consignment.

Warranty:

We grant a warranty of two years from the date of purchase of our products. Warranty claims can only be accepted if a (copy of the) dealer invoice is available.

The warranty covers defects of material and workmanship; it does not cover defects due to:

- Normal wear and tear
- Improper use
- Non-compliance with the instructions for use.

Warranty claims must be settled on site and are at the discretion of the firm Mcfk. The warranty granted by the firm Mcfk does not include compensation of damage; particularly any indirect damage in connection with an accident, any other indirect or consequential damage are excluded from our warranty.

The satisfaction of our customers is important to us. For this reason, we usually treat problems with our products very generously, also outside the warranty period. Please clean and return the parts and add a brief written account (including your contact data) and a copy of the invoice of the consignment.