

Mcfk seat post

Thank you very much for buying our products. Please read the instructions carefully and follow the installation details. Have your Mcfk product assembled exclusively by a specialized dealer and present this manual to him for guidance. Please note that the manual is part of the product and as such should be kept safely.

Intended use

The Mcfk seat post is approved for up to 100 kg rider weight and can be used on road bikes, cyclocross and mountain bikes. The saddle post must not be made shorter.

Replace all parts without delay after a fall/accident or when they have been used improperly. Even if you cannot see any defects such as a crack, deformation or mechanical wear, we cannot warrant the safe use of such parts.

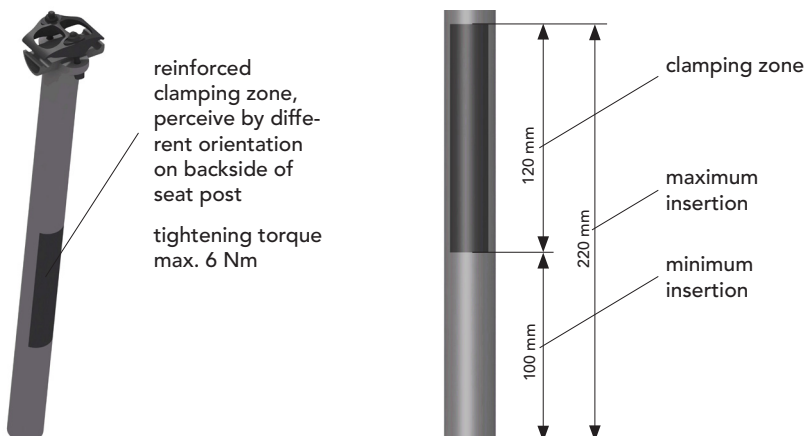
Installation in the cycle frame (only for specialized dealers)

Before you start the installation, check to make sure that the diameter of the cycle post tube fits the diameter of the seat post. In addition, ensure that the clamping mechanism on the frame is compatible with carbon seat posts. Read the cycle manufacturer's instructions for use beforehand. Sharp burrs and edges or any other contamination should be removed from the seat post tube before installation.

Applying uniform pressure, push the seat post into the frame seat tube from above. Avoid rotation. It is absolutely important to clamp the seat post in the target clamping range. The clamping range is identified by a square with a different fiber direction on the rear of the post.

Never clamp the seat post outside the marked clamping range. If you do that, damage may be caused and the rider and other persons may be at a dramatic safety risk.

Tighten the post clamping screws to maximum 6 Nm.



Installation of the seat (only for specialized dealers)

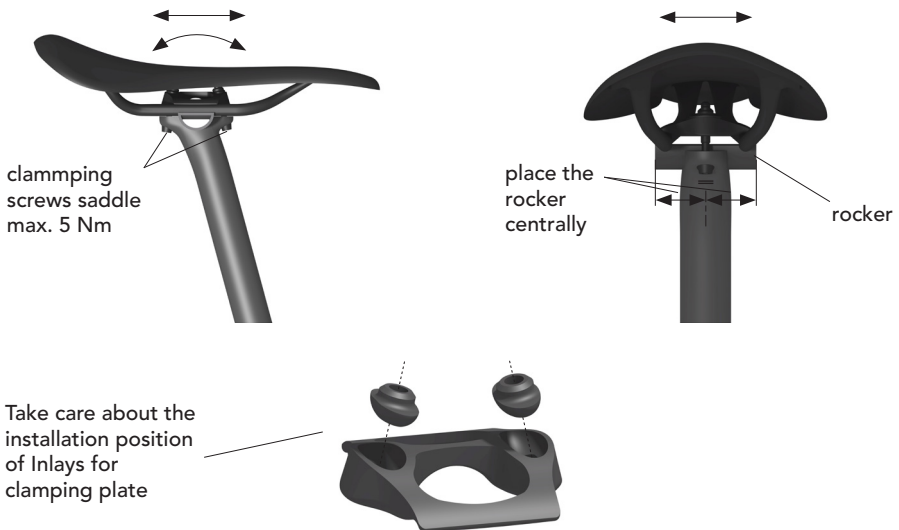
Our clamping mechanism can be used for round seat stays of 7 mm diameter and also for highly oval seat stays of up to 11 mm height. Metal as well as carbon rails may be clamped. Please read the use instructions of the saddle manufacturer to know whether any special features must be observed.

For placing the seat frame in the clamp, open both clamping screws wide enough to prevent them from coming off the threaded inlays. Then remove the rocker from the seat post sideways and push the seat into the clamp. Hold the seat up by the clamping plate and push in the rocker sideways. Tighten the two screws alternately as required to obtain the correct position of the seat.

Ensure center alignment of the rocker in the direction of riding. The seat rails must only be clamped in the clamping range marked. Otherwise the seat stays may be damaged, which is a great safety risk for the rider and for others.

Tighten the screws at the seat clamp to maximum 5 Nm.

Check the screws for firm seating; adjust to the specified tightening torque if necessary.



Warranty

We grant a warranty of two years from the purchase date of our products. We are sure you appreciate that warranty can only be claimed if you present the invoice of the purchase of the parts and the invoice of the specialized dealer who installed them. Please return the defective product, together with a description of the defect, your contact data and the above documents to the seller.

The warranty covers defects of material and manufacture; it does not include damage due to normal wear and tear, improper use or non-compliance with the instructions of use. Warranty claims can only be raised against Mcfk. This warranty does not include Mcfk's liability for damages, in particular, for indirect damage as a consequence of accident, other indirect damage or consequential damage.